

GENERAL DESCRIPTION:

Diaphragm-Type Urinal Flush Valve for 3/4" top spud urinals.

PRODUCT FEATURES:

- Hands-free infrared sensor-operated gear actuator with chrome plated metal housing
- Patent-pending DynaClean™ wiper spring technology significantly reduces maintenance and downtime
- Self-cleaning wiper spring cleans the refill orifice with every flush; prevents valve run-on from clogging
- Prevents costly excess water usage and potential flooding
- Premium, chlorine resistant EvoLast™ diaphragm material prevents premature deterioration and failure
- Dezincification-resistant brass alloy
- Electronic courtesy flush button
- Optional Sanitary Flush: Automatic flush after 24 hours of non-use
- Low Battery Indicator: Yellow LED flashes when batteries need to be replaced
- Easy Battery Replacement: Water does not need to be shut off to change batteries
- High back pressure vacuum breaker prevents dripping
- Adjustable tailpiece for rough-in flexibility
- Can be installed left or right handed
- No external volume adjustment
- ADA compliant
- Barrier Free compliant

MODEL NUMBER:



❑ **6145SM013.002** Flush Valve for 3/4" top spud urinal, 11-1/2" rough-in, 0.125 gpf/0.5 Lpf



❑ **6145SM051.002** Flush Valve for 3/4" top spud urinal, 11-1/2" rough-in, 0.5 gpf/0.9 Lpf

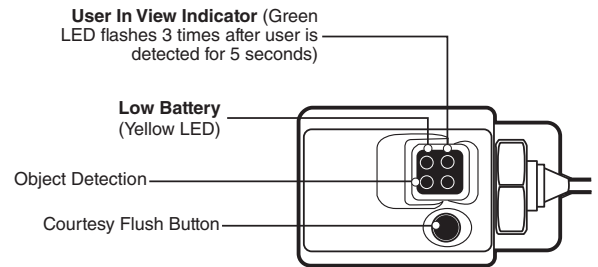
❑ **6145SM101.002** Flush Valve for 3/4" top spud urinal, 11-1/2" rough-in, 1.0 gpf/3.8 Lpf

OPERATING PRESSURE: 20 psi (flowing)-80 psi (static)

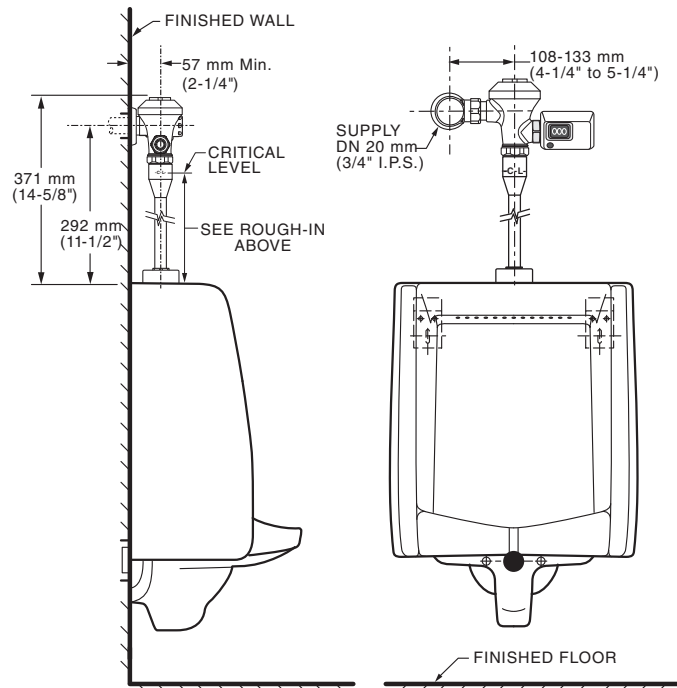
FLOW REQUIREMENT: 10 gpm (37.9 L/min.)

BATTERY LIFE: 100,000 flushes (3+ years @ 3,000 flushes per month) (4) "C" alkaline batteries included

ADJUSTABLE RANGE: 8" to 48" (32" default)



TYPICAL URINAL INSTALLATION: WASHBROOK URINAL SHOWN



RECOMMENDED SPECIFICATION:

Urinal flush valve includes sensor-operated gear actuator with metal casing. Shall feature self-cleaning diaphragm valve with integral DynaClean wiper spring in bypass orifice to prevent clogging. Advanced EvoLast diaphragm provides superior chlorine-resistance. Includes dezincification-resistant cast brass valve body with chrome finish. Includes sweat solder kit with wall flange and cover tube. Angle stop with back-flow protection and vandal-resistant stop cap. High back pressure vacuum breaker included.

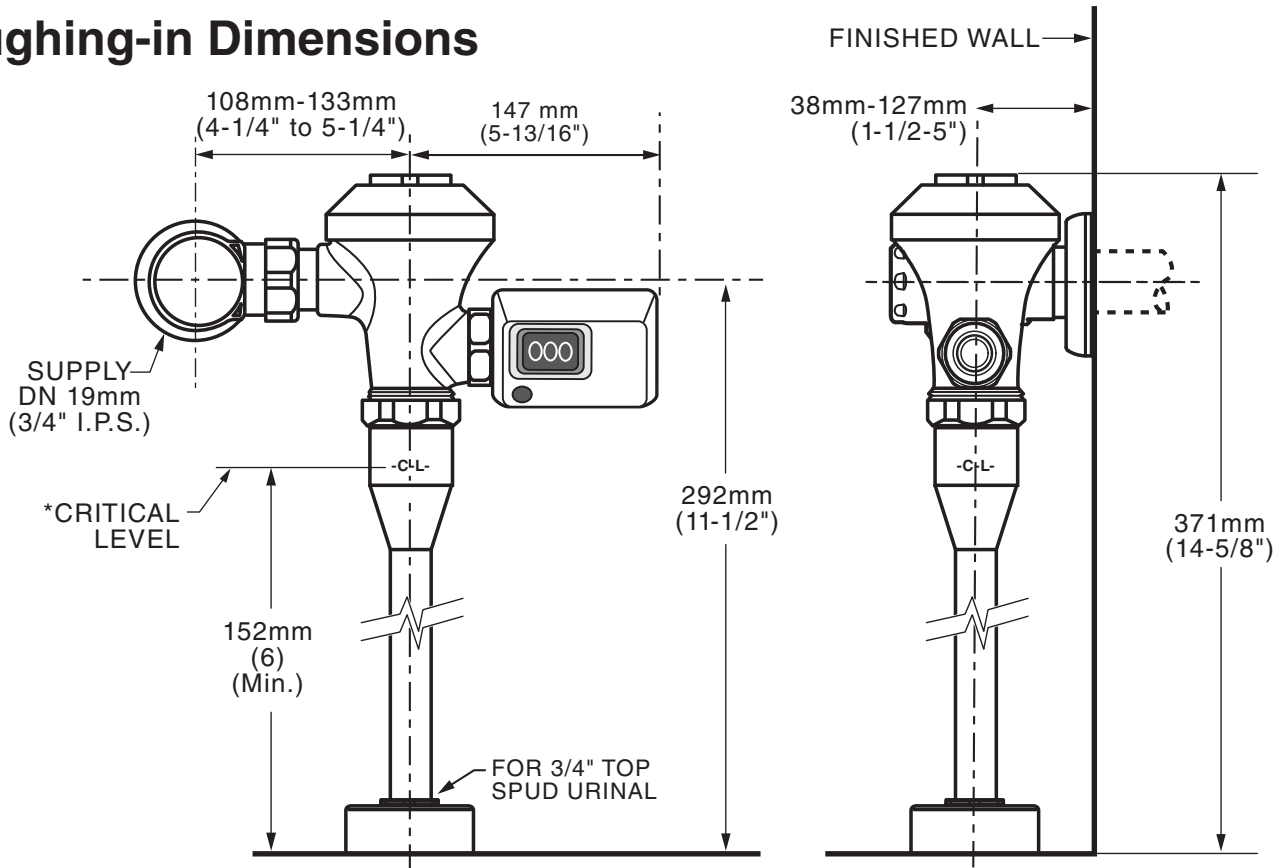
LISTINGS:

- ASSE 1037
- ANSI/ASME A112.19.2
- ADA Compliant

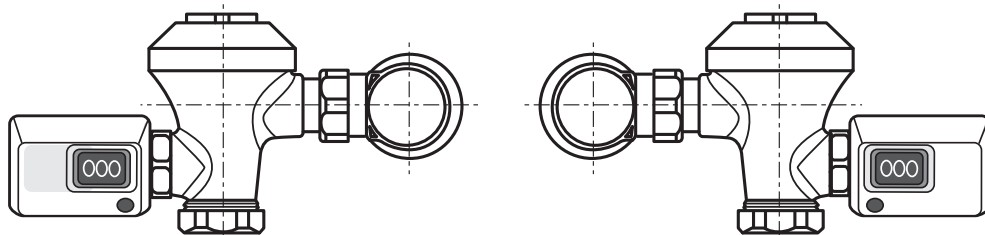
INCLUDES:

- 3/4" I.P.S. angle stop with back-flow prevention and vandal-resistant cap
- Sweat solder kit including cover tube and wall flange
- High back pressure vacuum breaker with down tube
- Spud coupling & flange for 3/4" top spud

Roughing-in Dimensions



*Note: The Critical Line (-C-L) on Vacuum Breaker must typically be a minimum of 6" (152 mm) above fixture. Consult Codes for details.



Left or Right Hand Installation



Meets CSA B651 Barrier Free code. Check local codes.



Meets the American Disabilities Act Guidelines and ANSI A117.1 Requirements for the physically challenged.

PART OF **LIXIL**